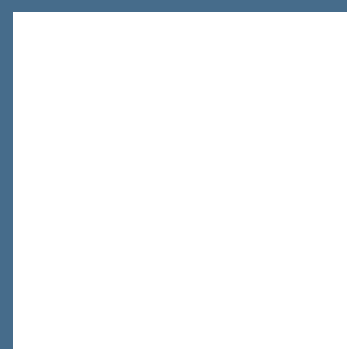


Industrial
paint tools

ONE TECH



CONTENTS



Spray guns page 5



Pressure tanks page 24



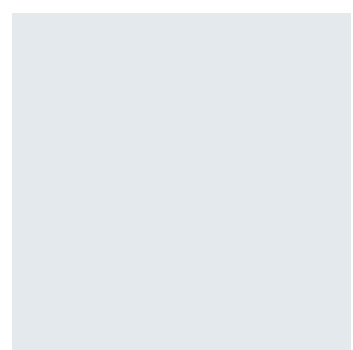
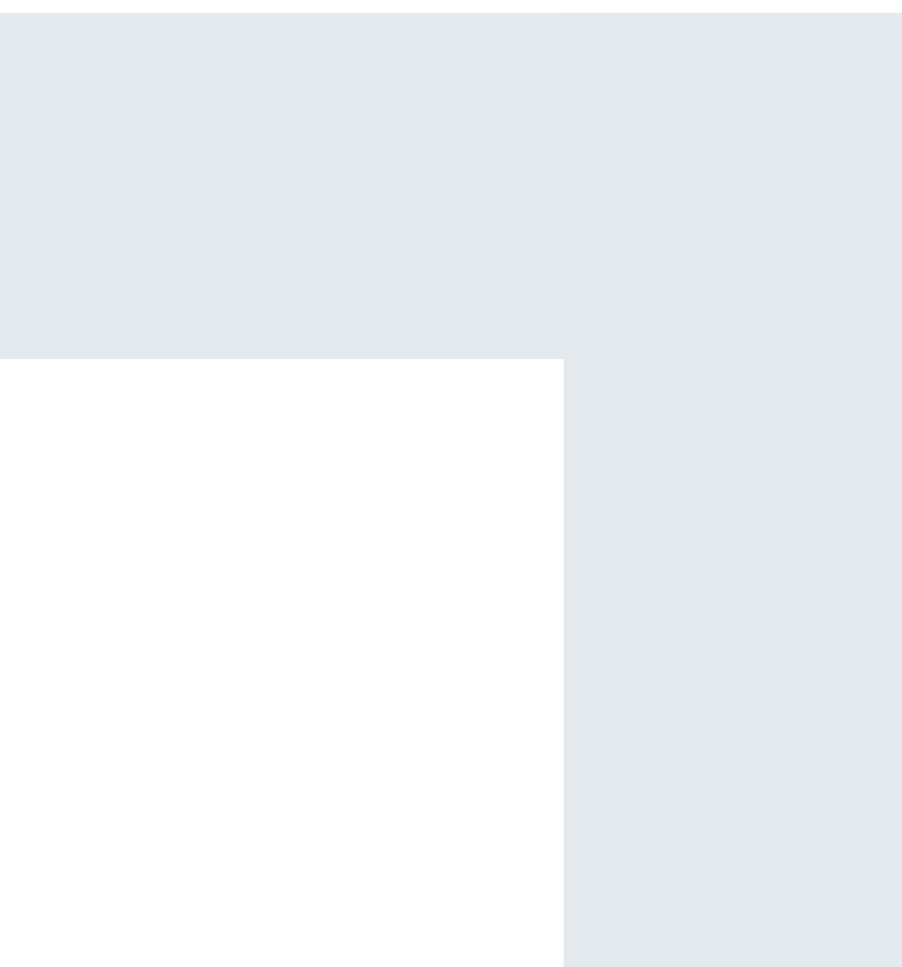
Agitators page 27



Pumps page 28



Accessories page 30



ONE TECH technology of development



ONE TECH is a range of professional paint tools that meet manufacturing requirements in general and is easy to use for each painter in particular.

ONE TECH is always looking to provide you with the best products that are manufactured at the world's leading plants. That is why we have chosen Prona Air Tool Manufacturing Limited as a manufacturer of our paint tools, as it has more than 30 years of experience in the production of spray guns and related equipment.

A range of products that enables the application of any material was developed especially for **ONE TECH**:

- Base coats, metallic paints, top coats;
- Primers, enamels;
- Thick waterborne paints;
- Ceramic, abrasive coatings;
- Patina, stain.

Strict quality control performed by the manufacturing plant:

- Production of ONE TECH spray guns with the modern European CNC machines;
- A spot check of each batch of the parts that are used in ONE TECH tools;
- 100% of ONE TECH spray guns are tested for airtightness;
- 100% of ONE TECH needles are being hardened;
- 100% check of pneumatic engines of ONE TECH agitators.

Premium spray quality of spray guns ONE TECH by Prona is confirmed by laboratory tests. The patented technologies of the manufacturing plant make it possible to reduce the price and to retain the high quality and reliability of ONE TECH tools.



Spray guns

ONE TECH NT-100

Manual pneumatic spray gun

Description

Light and perfectly balanced pneumatic gravity feed spray gun ONE TECH NT-100 is a universal solution for application of a wide variety of paints, top coats, base coats and primers, and other materials for pneumatic spraying.

Use: automobile, refinish, machine-building, furniture industry and many other industry fields.

Advantages

- Easy to clean and long-life anodized body
- A nozzle, a needle and fluid passages are made of stainless steel
- Wide choice of nozzles
- Perfectly balanced ergonomic body of a spray gun reduces fatigue

Application

Air cap	Nozzle size, mm
LV2	1,2 / 1,3 / 1,4 / 1,5 / 1,6 / 1,8 / 2,0 Base and top coats, primers, enamels
W2	2,5 Paints, primers or putties, very high performance



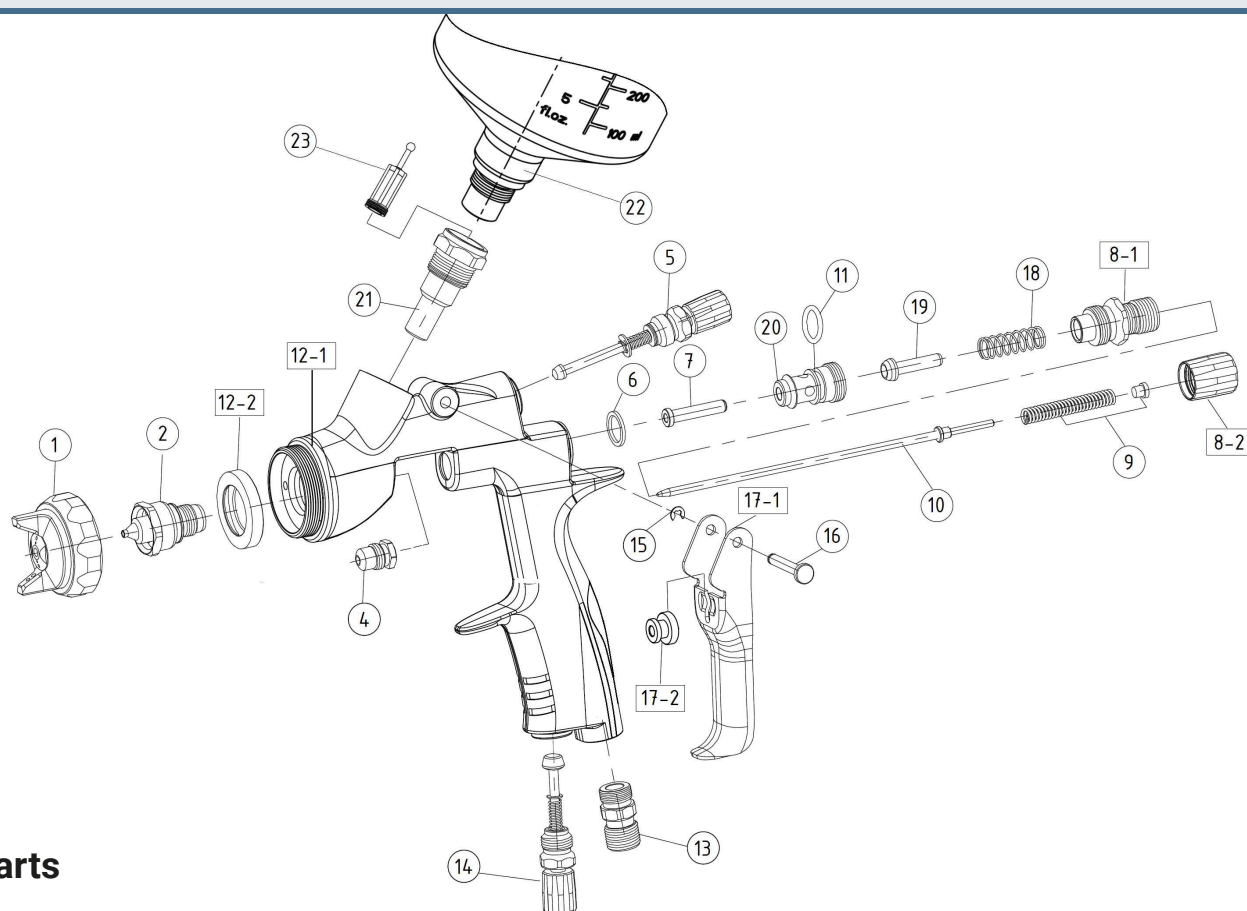
Technical characteristics

Nº	Part number	Nozzle, mm	Air cap	Pressure, bar	Air consumption, l/min	Material consumption, ml/min	Spray width, mm*	Weight, g
1	NT10-100-G12	1,2	LV2	2,0 - 3,0	320	160	230 - 250	464
2	NT10-100-G13	1,3	LV2	2,0 - 3,0	320	180	240 - 260	464
3	NT10-100-G14	1,4	LV2	2,0 - 3,0	320	215	250 - 275	464
4	NT10-100-G15	1,5	LV2	2,0 - 3,0	320	270	260 - 280	464
5	NT10-100-G16	1,6	LV2	2,0 - 3,0	320	275	300 - 340	464
6	NT10-100-G18	1,8	LV2	2,0 - 3,0	320	330	330 - 335	464
7	NT10-100-G20	2,0	LV2	2,0 - 3,0	320	390	320 - 365	464
8	NT10-100-G25	2,5	W2	2,5 - 3,0	360	580	340	464

* – spraying distance 250 mm, fluid viscosity 20±1 seconds
Fluid intake – M16x1.5 (F), Air intake – 1/4" (M)

ONE TECH NT-100

Manual pneumatic spray gun



Spare parts

#	DESCRIPTION	PART NUMBER
1	Air cap LV2	NT10S-001
1	Air cap W1	NT10S-002
2	Nozzle 1,3 mm	NT10S-004
2	Nozzle 1,4 mm	NT10S-005
2	Nozzle 1,5 mm	NT10S-006
2	Nozzle 1,6 mm	NT10S-007
2	Nozzle 1,8 mm	NT10S-008
2	Nozzle 2,0 mm	NT10S-009
2	Nozzle 2,5 mm	NT10S-010
4	Needle seal	NT10S-011
5	Regulator	NT10S-012
6	Seal	NT10S-013
7	Needle guide	NT10S-014
8-1	Fitting	NT10S-015
8-2	Regulator	NT10S-016
9	Spring	NT10S-017
10	Needle 1,2 mm	NT10S-018
10	Needle 1,3 mm	NT10S-019
10	Needle 1,4 mm	NT10S-020
10	Needle 1,5 mm	NT10S-021
10	Needle 1,6 mm	NT10S-022

#	DESCRIPTION	PART NUMBER
10	Needle 1,8 mm	NT10S-023
10	Needle 2,0 mm	NT10S-024
10	Needle 2,5 mm	NT10S-025
11	Seal	NT10S-027
12-1	Body	NT10S-028
12-2	Ring	NT10S-029
13	Air inlet fitting	NT10S-030
14	Air pressure regulator	NT10S-031
15	Spring ring	NT10S-032
16	Trigger stud screw	NT10S-033
17-1	Trigger	NT10S-034
17-2	Pusher	NT10S-035
18	Spring	NT10S-036
19	Valve	NT10S-037
20	Air valve cage	NT10S-038
21	Fitting	NT10S-03
22	Cup	NT05-RC-6M
23	Filter	NT01G-0001
-	Nozzle (*) + Needle (set)	NT10S-0**
-	Air valve assembly (6, 7, 11, 1 , 20)	NT10S-048

* – possible nozzle size options, mm: 1.2; 1.3; 1.4; 1.5; 1.6; 1.8; 2.0; 2.5

** – for the nozzle: (1.2) -40; (1.3) -41; (1.4) -42; (1.5) -43; (1.6) -44; (1.8) -45; (2.0) -46; (2.5) -47

ONE TECH NT-101

Manual pneumatic spray gun

Description

Gravity feed spray gun ONE TECH NT-101 shows perfect spraying quality and is particularly suitable for application of transparent and colourless coatings, enamels, primers and metallic paints in the automotive industry and body shops.

It has a wide range of nozzle sizes and two air caps which enables application of almost all types of paints, including the water-borne ones.

Advantages

- Strong aluminium anodized body ensures long service life of a spray gun and facilitates its cleaning and technical maintenance.
- Nozzles and needles are made of stainless steel.
- Reduced misting and a high coefficient of paint transfer to the surface.
- It is equipped with regulators of air supply, of shape and size of a spray pattern and a needle lift adjuster.



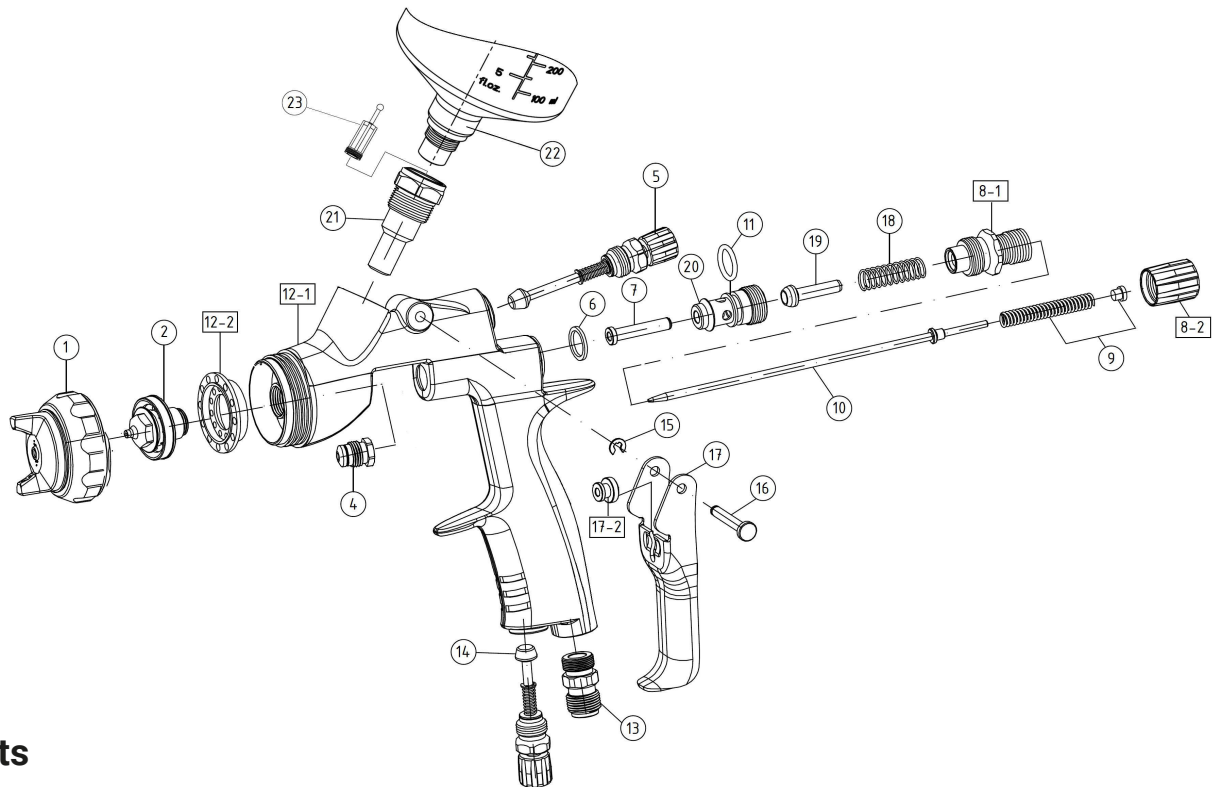
Technical characteristics

Nº	Part number	Nozzle, mm	Air cap	Pressure, bar	Air consumption, l/min	Material consumption, ml/min	Spray width, mm*	Weight, g
1	NT10-101-MP-G11	1,1	MP	2,0 - 2,5	340	320	260	519
2	NT10-101-MP-G12	1,2	MP	2,0 - 2,5	340	330	260	519
3	NT10-101-MP-G13	1,3	MP	2,0 - 2,5	340	340	260	519
4	NT10-101-MP-G14	1,4	MP	2,0 - 2,5	340	350	260	519
5	NT10-101-MP-G15	1,5	MP	2,0 - 2,5	340	360	260	519
6	NT10-101-MP-G17	1,7	MP	2,0 - 2,5	340	370	260	519
7	NT10-101-HVLP-G11	1,1	HVLP	2,0	430	230	200	519
8	NT10-101-HVLP-G12	1,2	HVLP	2,0	430	240	200	519
9	NT10-101-HVLP-G13	1,3	HVLP	2,0	430	250	270	519
10	NT10-101-HVLP-G14	1,4	HVLP	2,0	430	260	270	519
11	NT10-101-HVLP-G15	1,5	HVLP	2,0	430	280	270	519
12	NT10-101-HVLP-G17	1,7	HVLP	2,0	430	300	270	519

* – spraying distance 200 mm, fluid viscosity 20±1 seconds
Fluid intake – M16x1.5 (F), Air intake – 1/4" (M)

ONE TECH NT-101

Manual pneumatic spray gun



Spare parts

#	DESCRIPTION	PART NUMBER
1	Air cap MP	NT10S-049
1	Air cap HVLP	NT10S-050
2	Nozzle 1,0 mm	NT10S-051
2	Nozzle 1,2 mm	NT10S-052
2	Nozzle 1,3 mm	NT10S-053
2	Nozzle 1,4 mm	NT10S-054
2	Nozzle 1,5 mm	NT10S-055
2	Nozzle 1,7 mm	NT10S-056
4	Needle seal	NT10S-011
5	Regulator	NT10S-057
6	Seal	NT10S-013
7	Needle guide	NT10S-014
8-1	Fitting	NT10S-015
8-2	Regulator	NT10S-016
9	Spring	NT10S-017
10	Needle 1,1 mm	NT10S-058
10	Needle 1,2 mm	NT10S-059
10	Needle 1,3 mm	NT10S-060
10	Needle 1,4 mm	NT10S-061
10	Needle 1,5 mm	NT10S-062
10	Needle 1,7 mm	NT10S-063
11	Seal	NT10S-027

#	DESCRIPTION	PART NUMBER
12-1	Body	NT10S-064
12-2	Ring	NT10S-065
13	Air inlet fitting	NT10S-030
14	Air pressure regulator	NT10S-031
15	Spring ring	NT10S-032
16	Trigger stud screw	NT10S-033
17-1	Trigger	NT10S-034
17-2	Pusher	NT10S-035
18	Spring	NT10S-036
19	Valve	NT10S-037
20	Air valve cage	NT10S-038
21	Fitting	NT10S-039
22	Cup	NT05-RC-6M
23	Filter	NT01G-0001
-	Nozzle (*) + Needle (set)	NT10S-0**
-	Air valve assembly (6, 7, 11, 1, 20)	NT10S-048

* – possible nozzle size options, mm: 1.1; 1.2; 1.3; 1.4; 1.5; 1.7

** – for the nozzle: (1.1) -66; (1.2) -67; (1.3) -68; (1.4) -69; (1.5) -70; (1.7) -71

ONE TECH NT-103

Pressurized manual pneumatic spray gun

Description

ONE TECH NT-103 is a manual gravity feed spray gun with a pressurized cup. The internal cup pressure is generated by delivering air from the spray gun to the fluid cup. The internal cup pressure can be adjusted with a throttle valve.

This spray gun is a perfect tool for application of such high viscosity materials as structural, zinc-rich and water-base materials.

Advantages

- Strong aluminium anodized body, stainless steel nozzles and needles ensure long service life of a spray gun and facilitate its cleaning and technical maintenance.
- It is equipped with regulators of air supply, of shape and size of a spray pattern and a needle lift adjuster.
- Precise manual adjustment of the internal cup pressure.
- Reduced misting and a high coefficient of paint transfer to the surface.



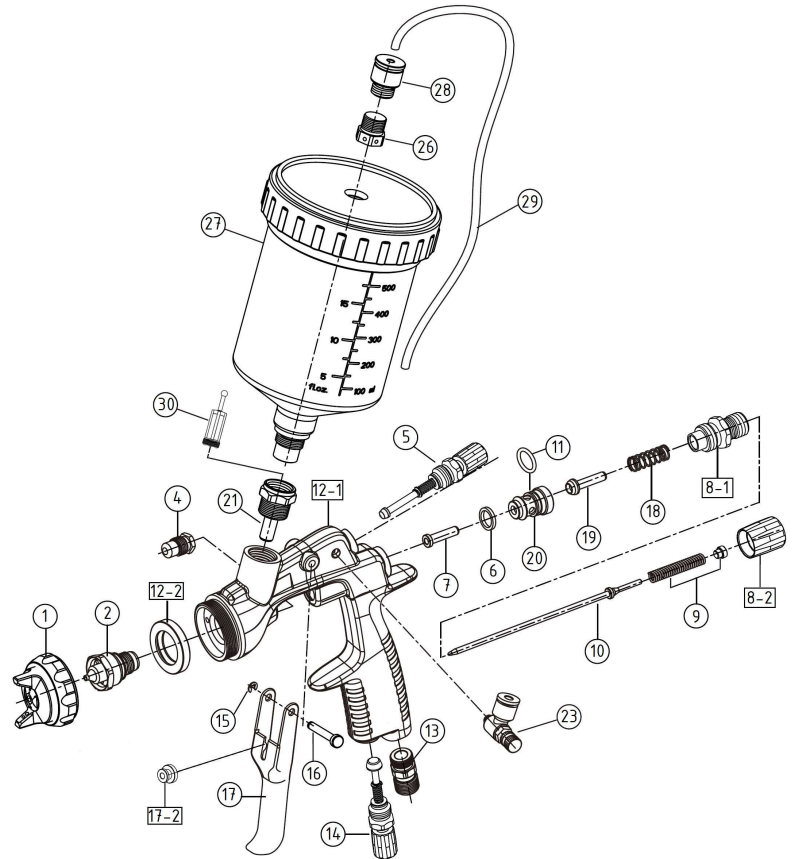
Technical characteristics

Nº	Part number	Nozzle, mm	Air cap	Pressure, bar	Air consumption, l/min	Material consumption, ml/min	Spray width, mm*	Weight, g
1	NT10-103-GP12	1,2	LV2	2,0 - 3,0	320	160	230 - 250	517
2	NT10-103-GP13	1,3	LV2	2,0 - 3,0	320	180	240 - 260	517
3	NT10-103-GP14	1,4	LV2	2,0 - 3,0	320	215	250 - 275	517
4	NT10-103-GP15	1,5	LV2	2,0 - 3,0	320	270	260 - 280	517
5	NT10-103-GP16	1,6	LV2	2,0 - 3,0	320	275	300 - 340	517
6	NT10-103-GP18	1,8	LV2	2,0 - 3,0	320	330	330 - 355	517
7	NT10-103-GP20	2,0	LV2	2,0 - 3,0	360	410	320	517
8	NT10-103-GP25	2,5	W2	2,5 - 3,0	360	510	340	517

* - spraying distance 250 mm, fluid viscosity 20±1 seconds
Fluid intake - M16x1.5 (F), Air intake - 1/4" (M)

Spare parts

#	DESCRIPTION	PART NUMBER
1	Air cap LV2	NT10S-072
1	Air cap W1	NT10S-073
2	Nozzle 1,2 mm	NT10S-074
2	Nozzle 1,3 mm	NT10S-075
2	Nozzle 1,4 mm	NT10S-076
2	Nozzle 1,5 mm	NT10S-077
2	Nozzle 1,6 mm	NT10S-078
2	Nozzle 1,8 mm	NT10S-079
2	Nozzle 2,0 mm	NT10S-080
2	Nozzle 2,5 mm	NT10S-081
4	Needle seal	NT10S-011
5	Regulator	NT10S-012
6	Seal	NT10S-013
7	Needle. guide	NT10S-014
8-1	Fitting	NT10S-015
8-2	Regulator	NT10S-016
9	Spring	NT10S-017
10	Needle 1,2 mm	NT10S-083
10	Needle 1,3 mm	NT10S-084
10	Needle 1,4 mm	NT10S-085
10	Needle 1,5 mm	NT10S-086
10	Needle 1,6 mm	NT10S-087
10	Needle 1,8 mm	NT10S-088
10	Needle 2,0 mm	NT10S-089
10	Needle 2,5 mm	NT10S-090
11	Seal	NT10S-027
12-1	Body	NT10S-091
12-2	Ring	NT10S-029
13	Air inlet fitting	NT10S-030
14	Air pressure regulator	NT10S-031
15	Spring ring	NT10S-032
16	Trigger stud screw	NT10S-033
17-1	Trigger	NT10S-034
17-2	Pusher	NT10S-035
18	Spring	NT10S-036
19	Valve	NT10S-037



#	DESCRIPTION	PART NUMBER
20	Air valve cage	NT10S-038
21	Fitting	NT10S-039
23	Throttle valve	NT10S-093
26	Silencer	NT10S-094
27	Cup	NT05-RC-6MP
28	Fitting	NT10S-096
29	Hose	NT10S-097
30	Filter	NT01G-0001
-	Nozzle (*) + Needle (set)	NT10S-0**
-	Air valve assembly (6, 7, 11, 19, 20)	NT10S-048

* – possible nozzle size options, mm: 1.2; 1.3; 1.4; 1.5; 1.6; 1.8; 2.0; 2.5

** – for the nozzle: (1.2) -099; (1.3) -100; (1.4) -101; (1.5) -102; (1.6) -103; (1.8) -104; (2.0) -105; (2.5) -106

ONE TECH NT-200

Manual pneumatic spray gun

Description

Light and perfectly balanced pneumatic suction feed spray gun ONE TECH NT-200 is a solution for application of a wide variety of paints, such as top coats, base coats and primers, and other materials for pneumatic spraying.

Use: automobile industry, refinish industry, machine-building industry, furniture industry and many other industry fields.

Advantages

- Strong aluminium anodized body ensures long service life of a spray gun and facilitates its cleaning and technical maintenance.
- Nozzles and needles are made of stainless steel
- It is equipped with regulators of air supply, of shape and size of a spray pattern and a needle lift adjuster.
- Reduced misting and a high coefficient of paint transfer to the surface.



Technical characteristics

Nº	Part number	Nozzle, mm	Air cap	Pressure, bar	Air consumption, l/min	Material consumption, ml/min	Spray width, ±20 mm*	Weight, g	Note **
1	NT10-200-P08	0,8	MP	2,0 - 2,5	360	360	295	522	
2	NT10-200-P11	1,1	MP	2,0 - 2,5	360	380	310	522	
3	NT10-200-P12	1,2	MP	2,0 - 2,5	360	400	320	522	
4	NT10-200-P13	1,3	MP	2,0 - 2,5	360	410	330	522	
5	NT10-200-P14	1,4	MP	2,0 - 2,5	360	418	338	522	NT50-RC-1/NT05-RC-2
6	NT10-200-P15	1,5	MP	2,0 - 2,5	360	430	350	522	NT50-RC-1/NT05-RC-2
7	NT10-200-P18	1,8	MP	2,0 - 2,5	360	462	382	522	NT50-RC-1/NT05-RC-2
8	NT10-200-P20	2,0	MP	2,0 - 2,5	360	480	390	522	
9	NT10-200-P22	2,2	MP	2,0 - 2,5	360	500	405	522	

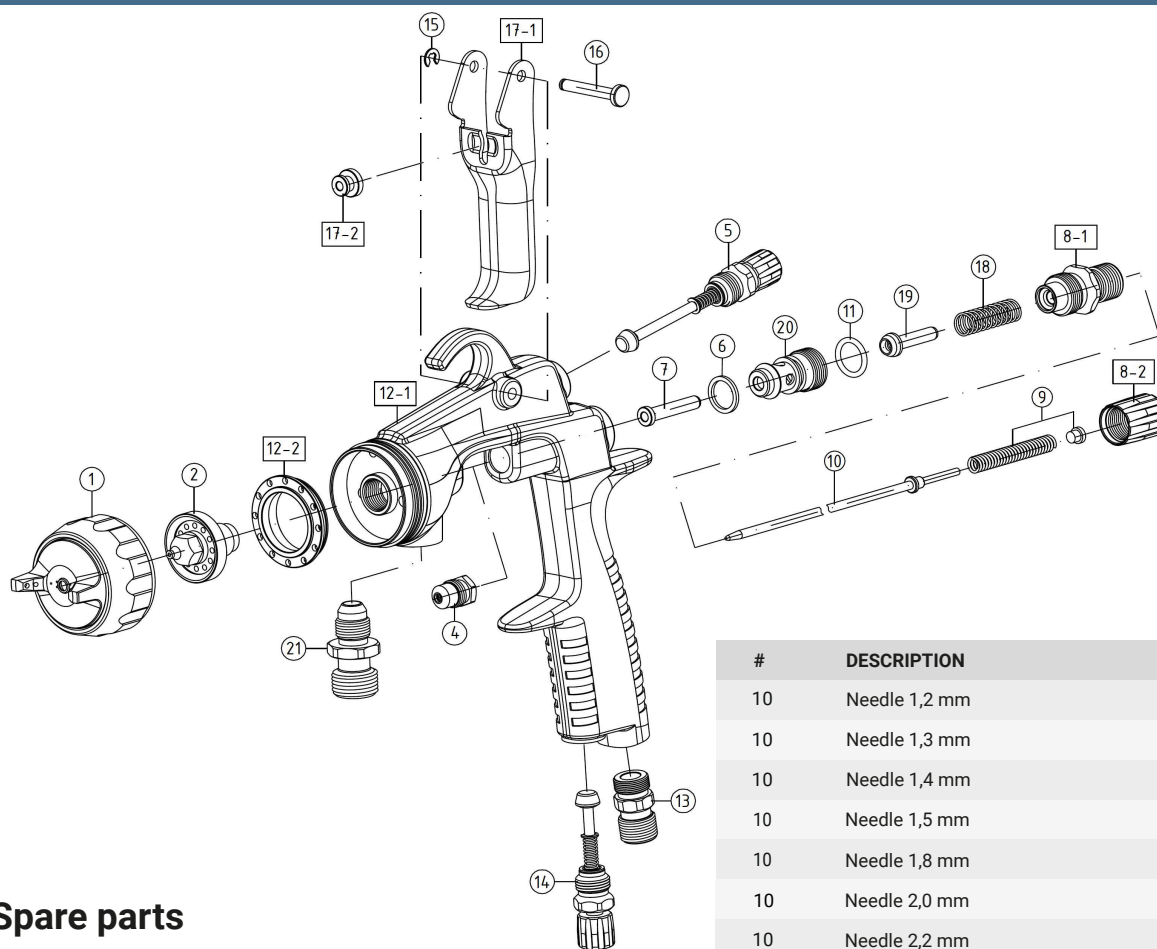
* – spraying distance 200 mm, fluid viscosity 20±1 seconds
Fluid intake – 3/8" (M), Air intake – 1/4" (M)

** Possible to use with cups

ONE TECH NT-200

Manual pneumatic spray gun

ONE TECH



Spare parts

#	DESCRIPTION	PART NUMBER
1	Air cap MP	NT10S-107
2	Nozzle 0,8 mm	NT10S-108
2	Nozzle 1,1 mm	NT10S-109
2	Nozzle 1,2 mm	NT10S-110
2	Nozzle 1,3 mm	NT10S-111
2	Nozzle 1,4 mm	NT10S-112
2	Nozzle 1,5 mm	NT10S-113
2	Nozzle 1,8 mm	NT10S-114
2	Nozzle 2,0 mm	NT10S-115
2	Nozzle 2,2 mm	NT10S-116
4	Needle seal	NT10S-011
5	Regulator	NT10S-117
6	Seal	NT10S-013
7	Needle guide	NT10S-014
8-1	Fitting	NT10S-015
8-2	Regulator	NT10S-016
9	Spring	NT10S-017
10	Needle 0,8 mm	NT10S-118
10	Needle 1,1 mm	NT10S-119

#	DESCRIPTION	PART NUMBER
10	Needle 1,2 mm	NT10S-120
10	Needle 1,3 mm	NT10S-121
10	Needle 1,4 mm	NT10S-122
10	Needle 1,5 mm	NT10S-123
10	Needle 1,8 mm	NT10S-124
10	Needle 2,0 mm	NT10S-125
10	Needle 2,2 mm	NT10S-126
11	Seal	NT10S-027
12-1	Body	NT10S-127
12-2	Ring	NT10S-128
13	Air inlet fitting	NT10S-030
14	Air pressure regulator	NT10S-031
15	Spring ring	NT10S-032
16	Trigger stud screw	NT10S-033
17-1	Trigger	NT10S-034
17-2	Pusher	NT10S-035
18	Spring	NT10S-036
19	Valve	NT10S-037
20	Air valve cage	NT10S-038
21	Fitting	NT10S-039
-	Nozzle (*) + Needle (set)	NT10S-1**
-	Air valve assembly (6, 7, 11, 19, 20)	NT10S-048

* – possible nozzle size options, mm: 0.8; 1.1; 1.2; 1.3; 1.4; 1.5; 1.8; 2.0; 2.5

** – for the nozzle: (0.8) -29; (1.1) -130; (1.2) -131; (1.3) -132; (1.4) -133; (1.5) -134; (1.8) -135; (2.0) -136 (2.5) -137

ONE TECH NT-400G

Manual pneumatic mini spray gun

Description

ONE TECH NT-400G is a manual gravity feed mini spray gun for spot repair and painting of small products.

Advantages

- Spray gun body is made of extra strong forged aluminium, its inner surface is fully dense.
- Anodized body, stainless steel nozzles and needles ensure long service life of a spray gun and facilitate its cleaning and technical maintenance.
- Precise control of material feed.
- Cup capacity (150 ml).



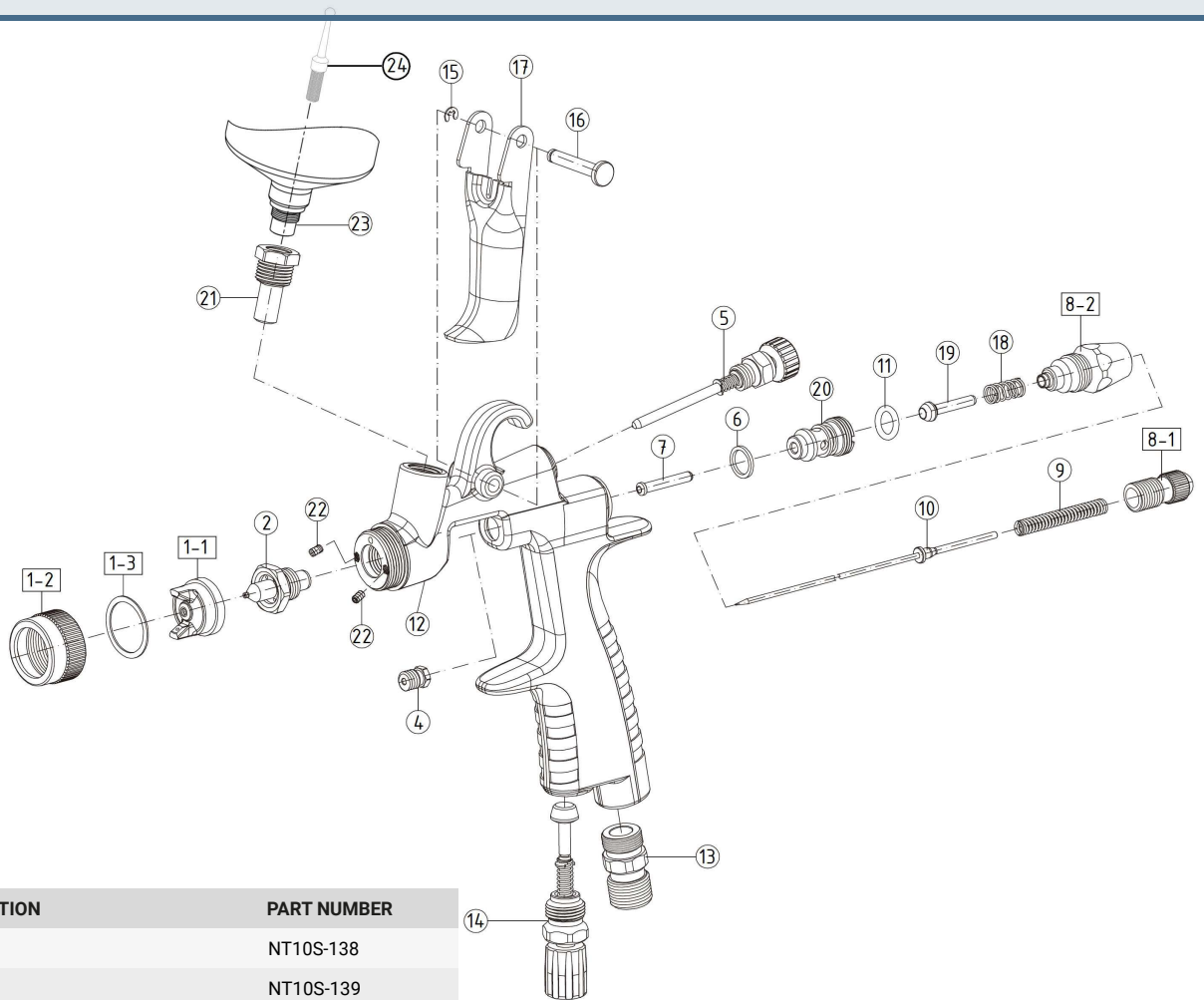
Technical characteristics

Nº	Part number	Nozzle, mm	Air cap	Pressure, bar	Air consumption, l/min	Material consumption, ml/min	Spray width, mm*	Weight, g
1	NT10-400G-04	0,4	04G	0,9 - 1,5	50	8	40	340
2	NT10-400G-06	0,6	06G	0,9 - 1,5	70	40	60	340
3	NT10-400G-08	0,8	08G	0,9 - 1,5	70	60	80	340
4	NT10-400G-10	1,0	10G	0,9 - 1,5	70	80	100	340
5	NT10-400G-12	1,2	12G	0,9 - 1,5	70	100	115	340

* – spraying distance 150 mm, fluid viscosity 11-15 seconds
Fluid intake – M8x1.0 (F), Air intake – 1/4" (M)

ONE TECH NT-400G

Manual pneumatic mini spray gun



Spare parts

#	DESCRIPTION	PART NUMBER
1-1	Air cap	NT10S-138
1-2	Nut	NT10S-139
1-3	Seal	NT10S-140
2	Nozzle 0,4 mm	NT10S-141
2	Nozzle 0,6 mm	NT10S-142
2	Nozzle 0,8 mm	NT10S-143
2	Nozzle 1,0 mm	NT10S-144
2	Nozzle 1,2 mm	NT10S-145
4	Needle seal	NT10S-146
5	Regulator	NT10S-147
6	Seal	NT10S-148
7	Guide	NT10S-149
8-1	Fitting	NT10S-150
8-2	Regulator	NT10S-151
9	Spring	NT10S-152
10	Needle 0,4 mm	NT10S-153
10	Needle 0,6 mm	NT10S-154
10	Needle 0,8 mm	NT10S-155
10	Needle 1,0 mm	NT10S-156
10	Needle 1,2 mm	NT10S-157

#	DESCRIPTION	PART NUMBER
11	Ring	NT10S-158
12	Body	NT10S-159
13	Air inlet fitting	NT10S-160
14	Air pressure regulator	NT10S-161
15	Spring ring	NT10S-162
16	Trigger stud screw	NT10S-163
17	Trigger	NT10S-164
18	Spring	NT10S-165
19	Valve	NT10S-166
20	Air valve cage	NT10S-167
21	Fitting	NT10S-168
22	Screw	NT10S-169
23	Cup	NT05-RC-51M
24	Filter	NT10S-185
-	Nozzle (*) + Needle (set)	NT10S-1**
-	Air valve assembly (6, 7, 11, 19, 20)	NT10S-175

* - possible nozzle size options, mm: 0.4; 0.6; 0.8; 1.0; 1.2

** - for the nozzle: (0.4) -70; (0.6) -71; (0.8) -72; (1.0) -73; (1.2) -74

ONE TECH NT-400F

Manual pneumatic mini spray gun

Description

ONE TECH NT-400F is a manual gravity feed mini spray gun with a side cup for spot repair and painting of small products.

Advantages

- Spray gun body is made of extra strong forged aluminium, its inner surface is fully dense.
- Anodized body, stainless steel nozzles and needles ensure long service life of a spray gun and facilitate its cleaning and technical maintenance.
- Precise control of material feed.
- Small cup capacity (150 ml).



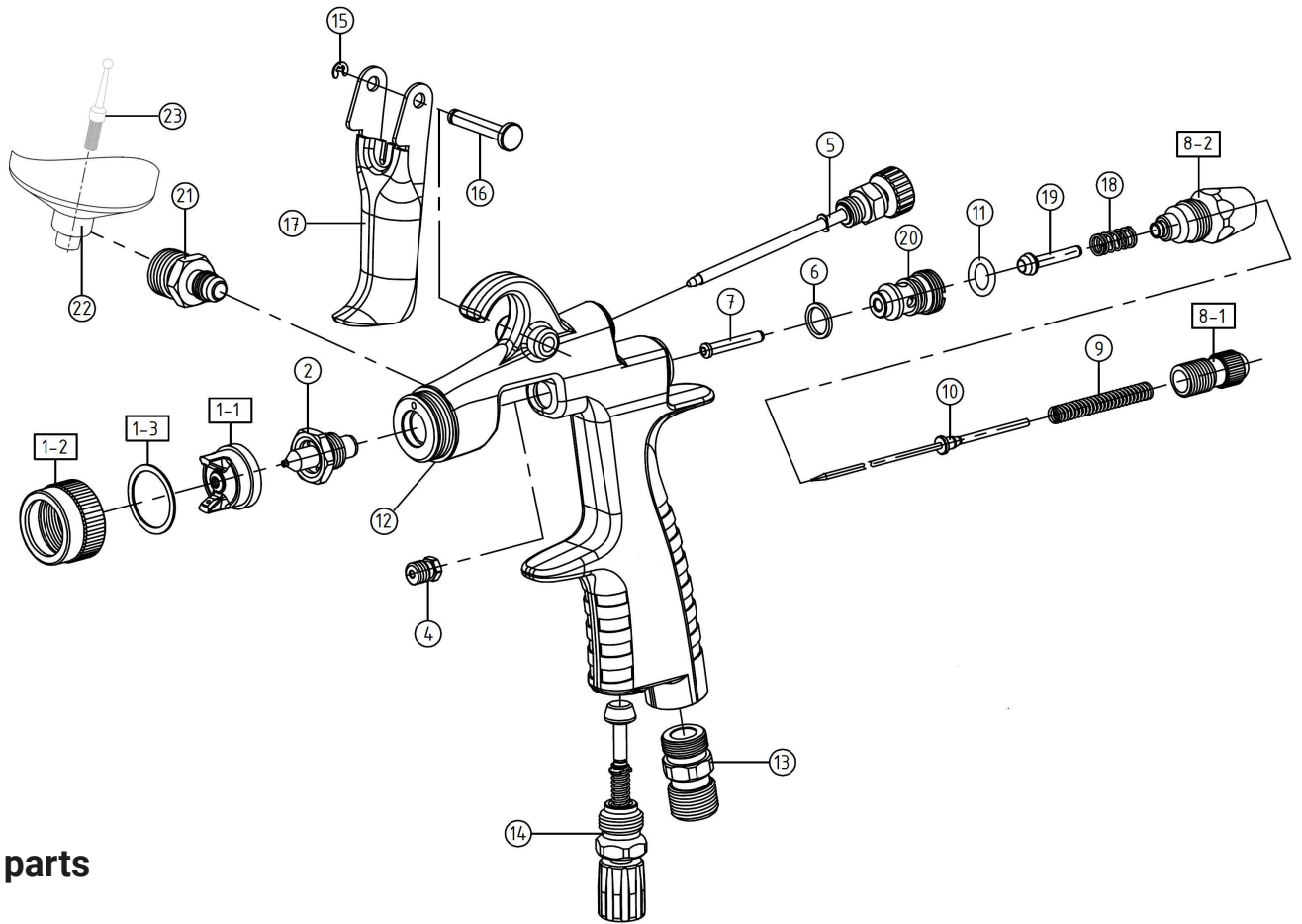
Technical characteristics

Nº	Part number	Nozzle, mm	Air cap	Pressure, bar	Air consumption, l/min	Material consumption, ml/min	Spray width, mm*	Weight, g
1	NT10-400F-04	0,4	04F	0,9 - 1,5	50	8	40	254
2	NT10-400F-06	0,6	06F	0,9 - 1,5	50	25	60	254
3	NT10-400F-08	0,8	08F	0,9 - 1,5	50	60	80	254
4	NT10-400F-10	1,0	10F	0,9 - 1,5	50	80	100	254
5	NT10-400F-12	1,2	12F	0,9 - 1,5	50	100	115	254

* – spraying distance 150 mm, fluid viscosity 11-15 seconds
Fluid intake – M8x1.0 (F), Air intake – 1/4" (M)

ONE TECH NT-400F

Manual pneumatic mini spray gun



Spare parts

#	DESCRIPTION	PART NUMBER
1-1	Air cap	NT10S-138
1-2	Nut	NT10S-139
1-3	Seal	NT10S-140
2	Nozzle 0,4 mm	NT10S-141
2	Nozzle 0,6 mm	NT10S-142
2	Nozzle 0,8 mm	NT10S-143
2	Nozzle 1,0 mm	NT10S-144
2	Nozzle 1,2 mm	NT10S-145
4	Needle seal	NT10S-146
5	Regulator	NT10S-177
6	Seal	NT10S-148
7	Needle guide	NT10S-149
8-1	Fitting	NT10S-150
8-2	Regulator	NT10S-151
9	Spring	NT10S-152
10	Needle 0,4 mm	NT10S-178
10	Needle 0,6 mm	NT10S-179
10	Needle 0,8 mm	NT10S-180

#	DESCRIPTION	PART NUMBER
10	Needle 1,0 mm	NT10S-181
10	Needle 1,2 mm	NT10S-182
11	O-ring	NT10S-158
12	Body	NT10S-183
13	Air inlet fitting	NT10S-160
14	Air pressure regulator	NT10S-161
15	Spring ring	NT10S-162
16	Trigger stud screw	NT10S-163
17	Trigger	NT10S-164
18	Spring	NT10S-165
19	Valve	NT10S-166
20	Separator	NT10S-167
21	Fitting	NT10S-184
22	Cup	NT05-RC-51SR
23	Filter	NT10S-185
-	Nozzle (*) + Needle (set)	NT10S-1**
-	Air valve assembly (6, 7, 11, 19, 20)	NT10S-175

* - possible nozzle size options, mm: 0.4; 0.6; 0.8; 1.0; 1.2

** - for the nozzle: (0.4) -86; (0.6) -87; (0.8) -88; (1.0) -89; (1.2) -90

ONE TECH NT-400R

Manual pneumatic mini spray gun

Description

ONE TECH NT-400R is a manual gravity feed mini spray gun with a side cup for spot repair and painting of small products.

NT-400R is a perfect solution for furniture enterprises while working with special effects, applying patina and other decorative materials.



Advantages

- Spray gun body is made of extra strong forged aluminium, its inner surface is fully dense.
- Anodized body, stainless steel nozzles and needles ensure long service life of a spray gun and facilitate its cleaning and technical maintenance.
- Precise control of material feed.
- Small cup capacity (150 ml).

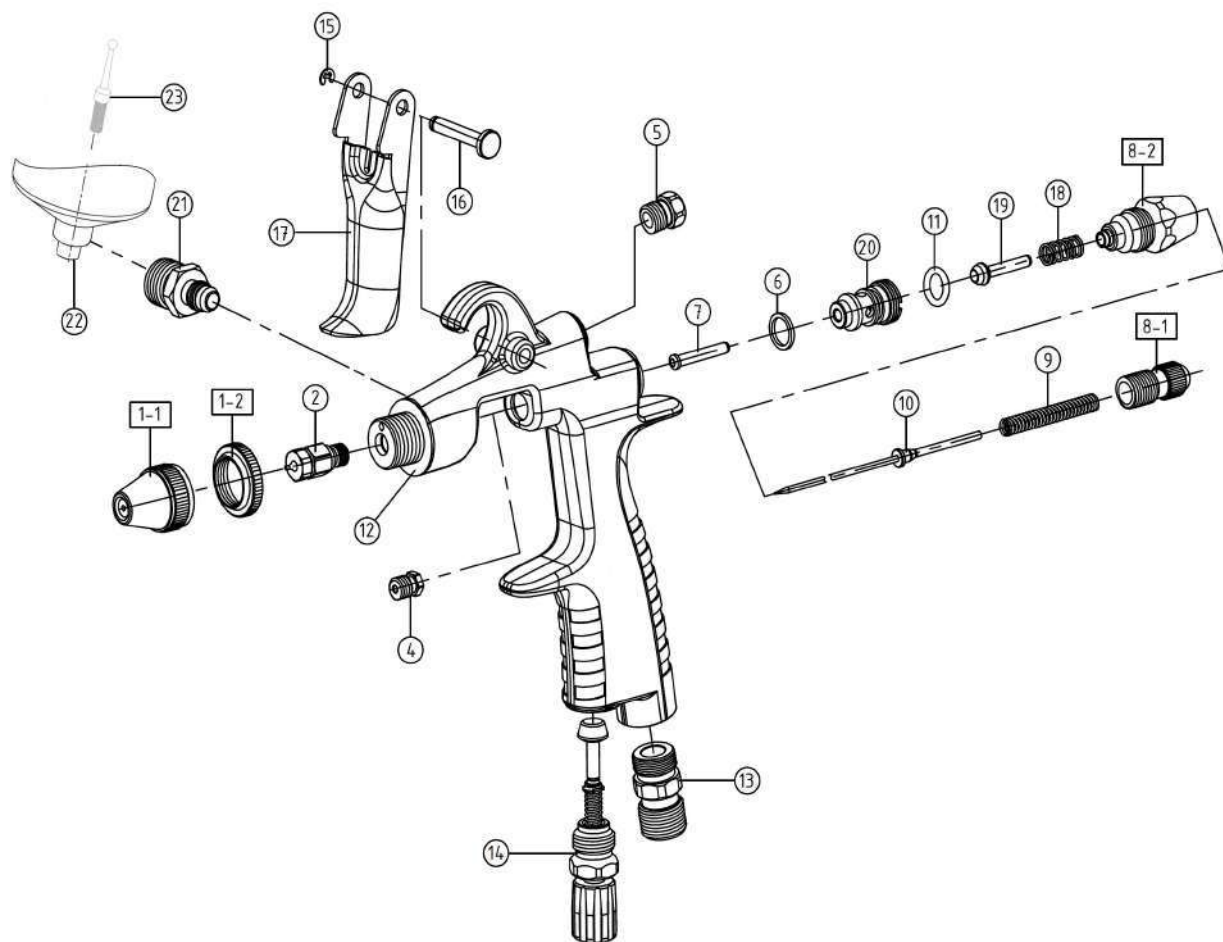
Technical characteristics

Nº	Part number	Nozzle, mm	Air cap	Pressure, bar	Air consumption, l/min	Material consumption, ml/min	Spray width, mm*	Weight, g
1	NT10-400R-04	0,4	04R	2,0 - 2,5	30	15	25	270
2	NT10-400R-06	0,6	06R	2,0 - 2,5	30	35	35	270
3	NT10-400R-08	0,8	08R	2,0 - 2,5	50	60	38	270
4	NT10-400R-10	1,0	10R	2,0 - 2,5	30	65	40	270

* – spraying distance 150 mm, fluid viscosity 11-15 seconds
Fluid intake – M8x1.0 (F), Air intake – 1/4" (M)

ONE TECH NT-400R

Manual pneumatic mini spray gun



Spare parts

#	DESCRIPTION	PART NUMBER
1-1	Air cap	NT10S-191
1-2	Nut	NT10S-192
2	Nozzle 0,4 mm	NT10S-193
2	Nozzle 0,6 mm	NT10S-194
2	Nozzle 0,8 mm	NT10S-195
2	Nozzle 1,0 mm	NT10S-196
4	Needle guide	NT10S-146
5	Plug	NT10S-198
6	Sealing ring	NT10S-148
7	Guide	NT10S-149
8-1	Fitting	NT10S-150
8-2	Regulator	NT10S-151
9	Sealing ring	NT10S-152
10	Needle 0,4 mm	NT10S-199
10	Needle 1,6 mm	NT10S-200
10	Needle 0,8 mm	NT10S-201
10	Needle 1,0 mm	NT10S-202
11	Ring	NT10S-158

#	DESCRIPTION	PART NUMBER
12	Body	NT10S-203
13	Air inlet fitting	NT10S-160
14	Air pressure regulator	NT10S-161
15	Spring ring	NT10S-162
16	Trigger stud screw	NT10S-163
17	Trigger	NT10S-164
18	Spring	NT10S-165
19	Valve	NT10S-166
20	Separator	NT10S-167
21	Fitting	NT10S-184
22	Cup	NT05-RC-51SR
23	Filter	NT10S-185
-	Nozzle (*) + Needle (set)	NT10S-2**
-	Air valve assembly (6, 7, 11, 19, 20)	NT10S-175

* – possible nozzle size options, mm: 0.4; 0.6; 0.8; 1.0

** – for the nozzle: (0.4) -04; (0.6) -05; (0.8) -06; (1.0) -07

ONE TECH NT-R-77-S

Manual pneumatic spray gun

Description

Suction feed spray gun ONE TECH NT-R-77 is designed for application of multicolour decorative materials.

It is suitable for production of panels for internal and external finishing of the facades of a building as well as for onsite painting of the walls.

Advantages

- Does not damage the structure of the components in the multicolour paint.
- Allows achieving a natural stone effect.
- Strong aluminium body ensures long service life of a spray gun and facilitates its cleaning and technical maintenance.



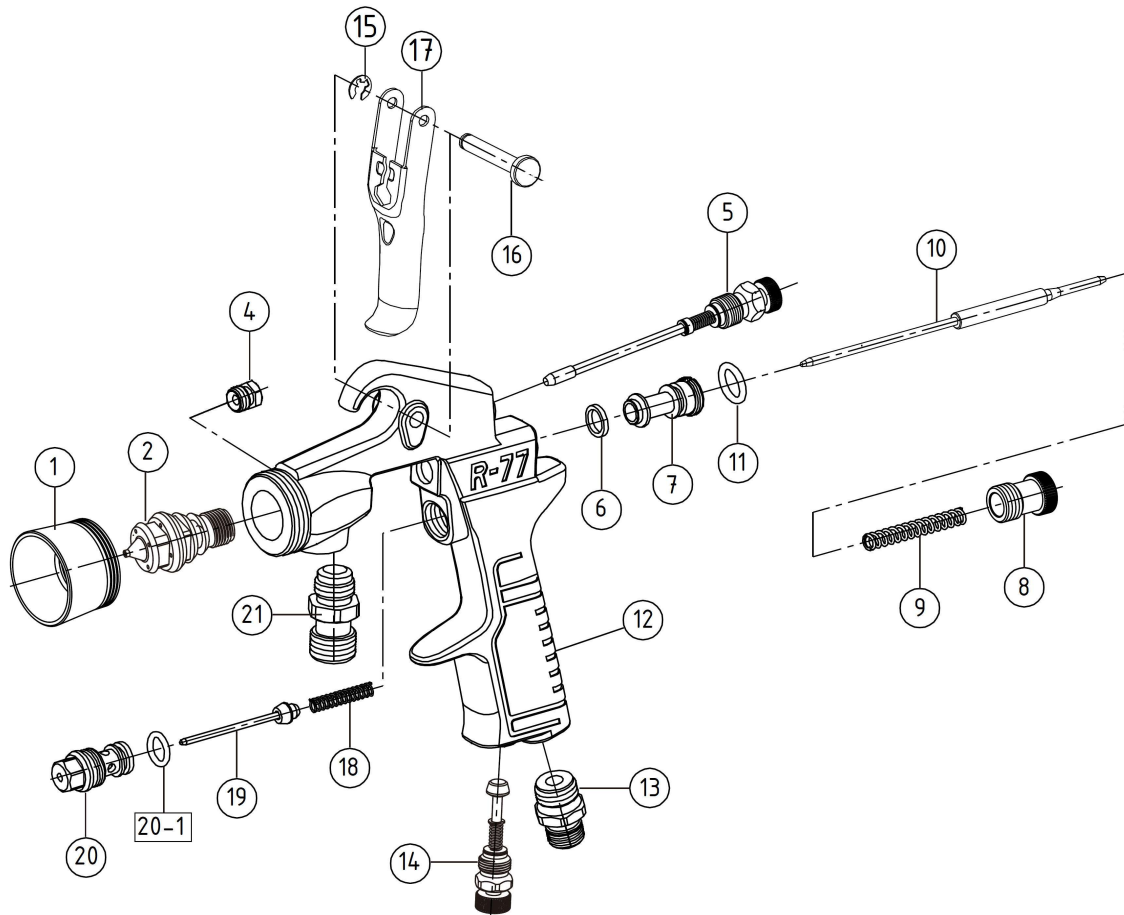
Technical characteristics

Nº	Part number	Nozzle, mm	Pressure, bar	Air consumption, l/min	Material consumption, ml/min	Weight, g
1	NT10-R-77-S12	1,2	1,0 - 3,5	560	380	540
2	NT10-R-77-S15	1,5	1,0 - 3,5	560	400	540
3	NT10-R-77-S20	2,0	1,0 - 3,5	560	440	540
4	NT10-R-77-S25	2,5	1,0 - 3,5	560	480	540
5	NT10-R-77-S30	3,0	1,0 - 3,5	560	520	540

Fluid intake – 3/8 (M), Air intake – 1/4" (M)

ONE TECH NT-R-77-S

Manual pneumatic spray gun



Spare parts

#	DESCRIPTION	PART NUMBER
1	Air cap	NT10S-248
2	Nozzle 1,2 mm	NT10S-249
2	Nozzle 1,5 mm	NT10S-250
2	Nozzle 2,0 mm	NT10S-251
2	Nozzle 2,5 mm	NT10S-252
2	Nozzle 3,0 mm	NT10S-253
4	Needle seal	NT10S-223
5	Regulator	NT10S-224
6	Seal	NT10S-225
7	Needle guide	NT10S-226
8	Regulator	NT10S-227
9	Spring	NT10S-228
10	Needle 1,2 mm	NT10S-254
10	Needle 1,5 mm	NT10S-255
10	Needle 2,0 mm	NT10S-256
10	Needle 2,5 mm	NT10S-257
10	Needle 3,0 mm	NT10S-258
11	O-ring	NT10S-232

#	DESCRIPTION	PART NUMBER
12	Body	NT10S-233
13	Air inlet fitting	NT10S-234
14	Air pressure regulator	NT10S-235
15	Spring ring	NT10S-236
16	Trigger stud screw	NT10S-237
17	Trigger	NT10S-238
18	Spring	NT10S-239
19	Valve	NT10S-240
20	Separator	NT10S-241
20-1	Seal	NT10S-242
21	Fitting	NT10S-243
-	Nozzle (*) + Needle (set)	NT10S-2**
-	Air valve assembly (6, 7, 11, 19, 20, 20-1)	NT10S-247

* – possible nozzle size options, mm: 1.2; 1.5; 2.0; 2.5; 3.0

** – for the nozzle: (1.2) -59; (1.5) -60; (2.0) -61; (2.5) -62 (3.0) -63

ONE TECH NT-R-77-Z (CERAMIC)

Manual pneumatic spray gun

Description

Suction feed spray gun ONE TECH NT-R-77 of a traditional spraying system is designed for application of water-base abrasive materials, glaze on the ceramic sanitary ware.

Advantages

- Strong aluminium body ensures long service life of a spray gun and facilitates its cleaning and technical maintenance.
- Nozzle and needle are made of stainless steel with special nitride treatment.
- It is equipped with regulators of air supply, of shape and size of a spray pattern and a needle lift adjuster.



Technical characteristics

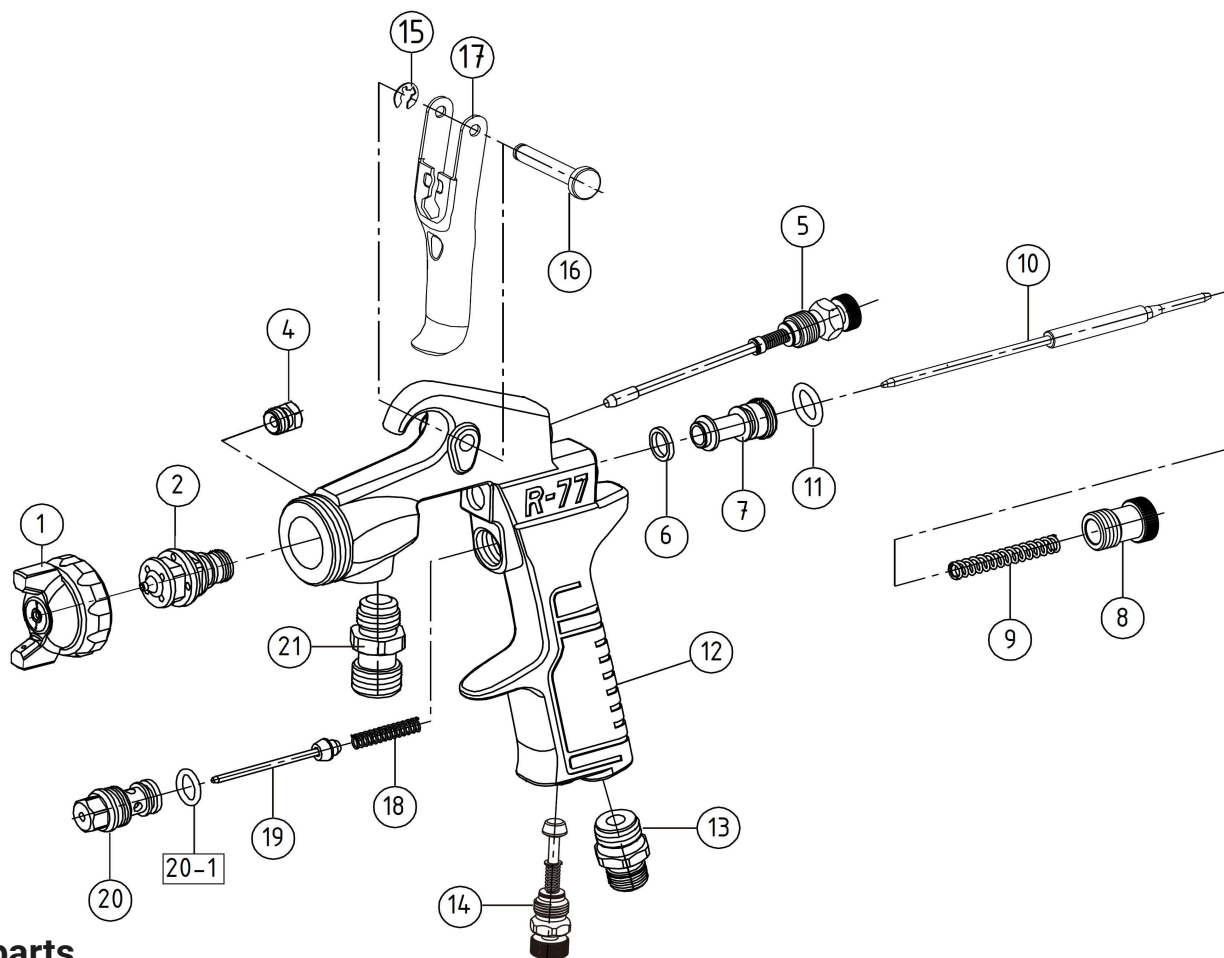
Nº	Part number	Nozzle, mm	Pressure, bar	Air consumption, l /min	Material consumption, ml/min	Spray width, mm*	Weight, g
1	NT10-R-77-Z20	2,0	3,5	293	370	280	590
2	NT10-R-77-Z25	2,5	3,5	300	660	380	590
3	NT10-R-77-Z30	3,0	3,5	329	669	440	590

* – spraying distance 200-250 mm, fluid viscosity 20±1 seconds
Fluid intake – 3/8" (M) , Air intake – 1/4" (M)

ONE TECH NT-R-77-Z (CERAMIC)

Manual pneumatic spray gun

ONE TECH



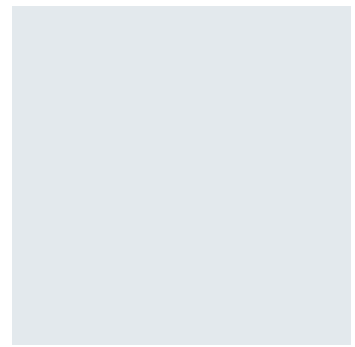
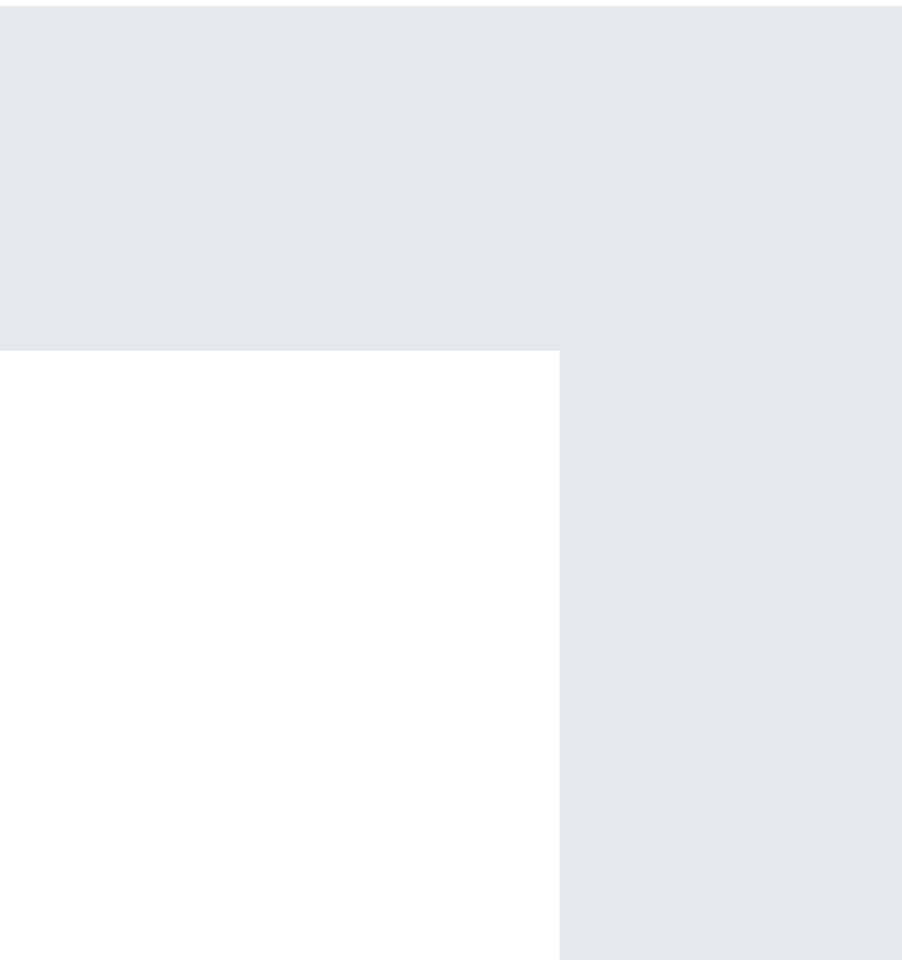
Spare parts

#	DESCRIPTION	PART NUMBER
1	Air cap	NT10S-219
2	Nozzle 2,0 mm	NT10S-220
2	Nozzle 2,5 mm	NT10S-221
2	Nozzle 3,0 mm	NT10S-222
3-1	Needle seal	NT10S-223
5	Regulator	NT10S-224
6	Seal	NT10S-225
7	Needle guide	NT10S-226
8	Regulator	NT10S-227
9	Spring	NT10S-228
10	Needle 2,0 mm	NT10S-229
10	Needle 2,5 mm	NT10S-230
10	Needle 3,0 mm	NT10S-231
11	Seal	NT10S-232
12	Body	NT10S-233

#	DESCRIPTION	PART NUMBER
13	Air inlet fitting	NT10S-234
14	Air pressure regulator	NT10S-235
15	Spring ring	NT10S-236
16	Trigger stud screw	NT10S-237
17	Trigger	NT10S-238
18	Spring	NT10S-239
19	Valve	NT10S-240
20	Separator	NT10S-241
20-1	Seal	NT10S-242
21	Fitting	NT10S-243
-	Nozzle (*) + Needle (set)	NT10S-2**
-	Air valve assembly (6, 7, 11, 19, 20, 20-1)	NT10S-247

* – possible nozzle size options, mm: 2.0; 2.5; 3.0

** – for the nozzle: (2.0) -44; (2.5) -45; (3.0) -46



TANK WITH A PNEUMATIC AGITATOR



Part number:	NT10-RT-10A	NT10-RT-20A	NT10-RT-40A	NT10-RT-60A
Volume, l:	10	20	40	60
Body:	steel	steel	steel	steel
Agitator:	pneumatic	pneumatic	pneumatic	pneumatic
Weight, kg:	17,7	22,9	30	35,4
Dimensions, mm:	248 x 185	292 x 365	350 x 395	350 x 548
Number of outlets:	1	2	2	2
Working pressure, bar:	3	3	1,9	1,9
Outlet thread:	1/4" (M)	1/4" (M)	1/4" (M)	1/4" (M)
Air Inlet:	1/4" (M)	1/4" (M)	1/4" (M)	1/4" (M)

TANK WITH A MANUAL AGITATOR



Part number:	NT10-RT-10M	NT10-RT-20M	NT10-RT-40M	NT10-RT-60M
Volume, l:	10	20	40	60
Body:	steel	steel	steel	steel
Agitator:	manual	manual	manual	manual
Weight, kg:	16	21,2	28,3	33,8
Dimensions, mm:	248 x 185	292 x 365	350 x 395	350 x 548
Number of outlets:	1	2	2	2
Working pressure, bar:	3	3	1,9	1,9
Outlet thread:	1/4" (M)	1/4" (M)	1/4" (M)	1/4" (M)
Air Inlet:	1/4" (M)	1/4" (M)	1/4" (M)	1/4" (M)

SMALL TANKS



Part number:	NT10-RC-2E	NT10-RT-2E
Volume, l:	2	2
Body:	aluminium	aluminium
Agitator:	without agitator	without agitator
Weight, kg:	1,54	1,52
Dimensions, mm:	129,5X199	129,5X199
Number of outlets:	1	1
Working pressure, bar:	3	3
Outlet thread:	3/8" (M)	1/4" (M)
Handle:	integrated	removable

TANK WITH BOTTOM DRAIN

Part number:	NT10-20AFG
Volume, l:	20
Body:	steel
Agitator:	pneumatic
Weight, kg:	22,9
Dimensions, mm:	292x365
Number of outlets:	1
Working pressure, bar:	3
Outlet thread:	1/2" bottom drain



STAINLESS STEEL TANK

Part number:	NT10-20AS
Volume, l:	20
Body:	stainless steel
Agitator:	pneumatic
Weight, kg:	23,7
Dimensions, mm:	292x365
Number of outlets:	2
Working pressure, bar:	3
Outlet thread:	1/4" (M)

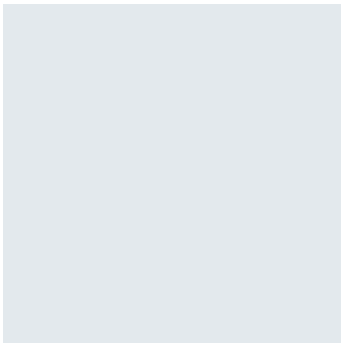
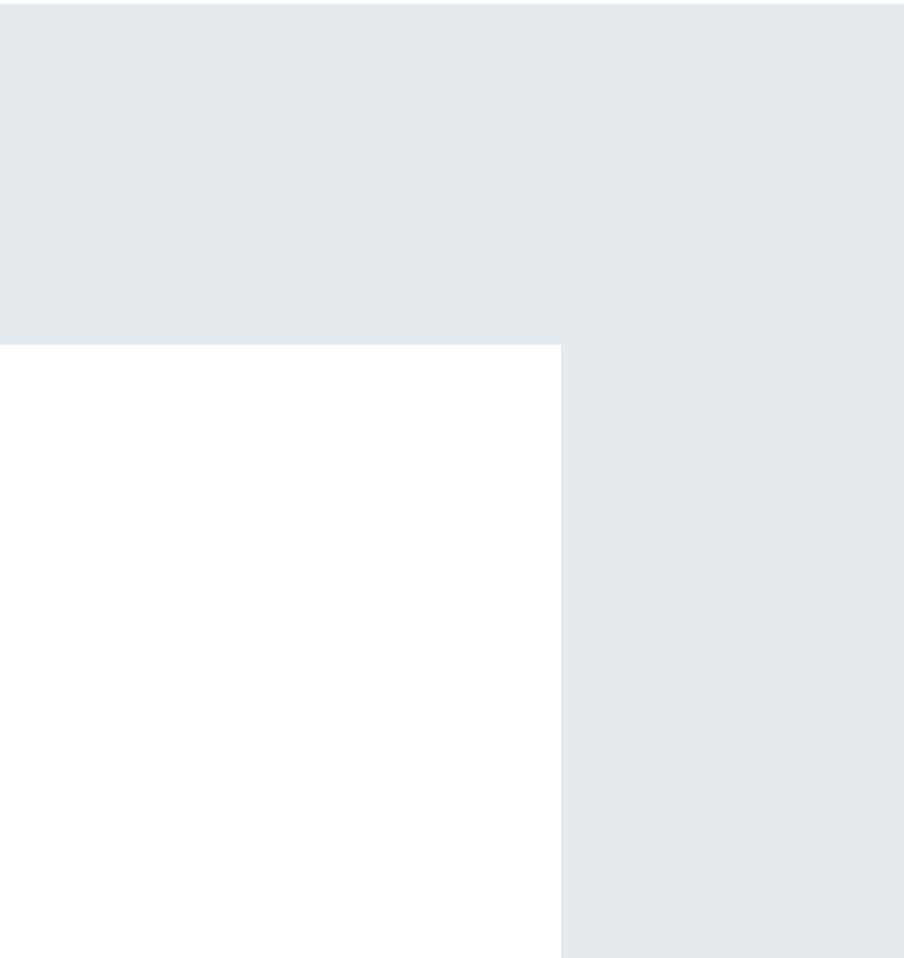




AGITATOR WITH A LID FOR 20 L TANK

Part number:	NT10-20AFG
Motor power, HP:	0,25
Blade size, mm:	95
Capacity, l:	20
Axle length, mm:	350
Weight, kg:	5,1
Max pressure, bar:	7
Material:	stainless steel



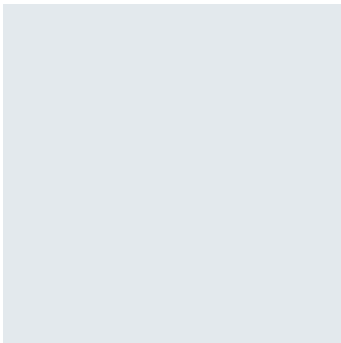
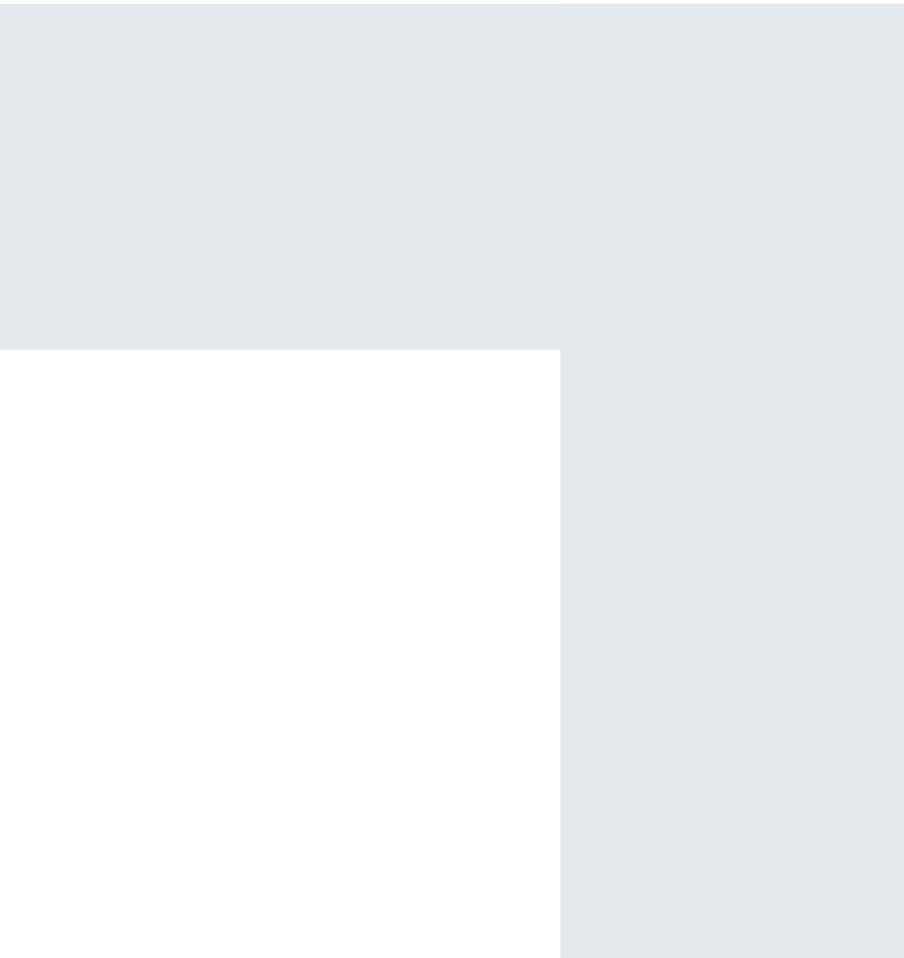


PNEUMATIC DIAPHRAGM PUMPS



Technical characteristics

Part number:	NT10-BDP-12	NT10-BDP-12-S	NT10-BDP-12-B
Description:	Pump with a pulsation damper	Pump with a pulsation damper and a pressure regulator	Pump with a pulsation damper and an agitator
Inlet thread:	G1/4	G1/4	G1/4
Outlet thread:	G1/4	G1/4	G1/4
Working temperature, °C:	5 - 40	5 - 40	5 - 40
Working pressure, bar:	1,5 - 6,0	1,5 - 6,0	1,5 - 6,0
Max pressure, bar:	6,0	6,0	6,0
Volume per a cycle, ml:	80	80	80
Max cycle rate, cycle/min:	150	150	150
Max volume, l/min:	12	12	12
Weight, kg:	7,3	7,8	11,7
Package dimensions, L*W*H (mm):	385x355x485	385x355x485	385x355x485



AIR DUSTER GUN ONE TECH RG-7



NT10-RG-7



NT10-RG-7-J



NT10-RG-7-4

Technical characteristics

Nº	Part number	Nozzle, mm	Air cap	Pressure, bar	Air consumption, l/min	Weight, g
1	NT10-RG-7	2,0	short	3,5	145	215
2	NT10-RG-7-J	2,0	regulated	3,5	0 – 145	215
3	NT10-RG-7-4	2,0	100 / 280 mm	3,5	320	215

Air connection: 1/4" (M)

PRESSURE REGULATOR WITH A MANOMETER ONE TECH RP-002-G



Part number:	NT05-RP-002-G
Thread:	1/4" (M) x 1/4" (F)
Max pressure, bar:	15
Regulated pressure, bar:	0 - 7
Weight:	120 g

FEMALE AND MALE QUICK DETACH FITTINGS



Female fitting NT04-RSQ-2
Thread: 1/4" (M)



Female fitting NT04-RSQ-3
Thread: 3/8" (M)



Male fitting NT04-RPQ-2
Thread: 1/4" (F)



Male fitting NT04-RPQ-3
Thread: 3/8" (F)

PPS ADAPTER



NT05-RFC-TG1
Thread: M16 x 1,5 (M)

CUP 600 ml (metal)



NT05-RC-6A
Thread: M16 x 1,5 (M)
For: NT10-100; NT10-101



NT05-RC-6AP
Thread: M16 x 1,5 (M)
For: NT10-103

CUP 1000 ml (metal)



NT05-RC-10A
Thread: M16 x 1,5 (M)
For: NT10-100; NT10-101



NT05-RC-10AP
Thread: M16 x 1,5 (M)
For: NT10-103

CUP 600 ml



NT05-RC-6M
Thread: M16 x 1,5 (M)
For: NT10-100; NT10-101



NT05-RC-6MP
Thread: M16 x 1,5 (M)
For: NT10-103

CUP 150 ml



NT05-RC-51SR
Thread: 1/4" (F)
For: NT10-400R; NT10-400F



NT05-RC-51M
Thread: M8 x 1,0 (M)
For: NT10-400G

CUP 1000 ml



NT05-RC-1
Thread: 3/8" (F)
For: NT10-200



NT05-RC-2
Thread: 3/8" (F)
For: NT10-200

AIR DRYER GUN NT-RP-2



Air dryer gun ONE TECH NT10-RP-2 is designed for speeding up the drying process of the surface coated with water-base materials.

Venturi system ensures low air consumption. Air dryer gun by Onetech makes it possible to reduce drying time of water-base paints to 65%.

Part number :	NT10-RP-2
Working pressure, bar:	2,9
Max pressure, bar:	6,8
Air consumption, l/min:	up to 700
Air flow, l/min:	up to 2800
Air inlet thread:	1/4" (M)
Weight, g:	633

STAND ONE TECH WITH TWO AIR DRYER GUNS



The stand makes it possible to install and to use two air dryer guns ONE TECH NT10-RP-2 simultaneously, and each gun may be adjusted and directed at the object accurately.

The stand should be used directly inside the spray booth or the paint area.

Advantages:

- Adjustable position of the stand and the air dryer guns;
- Two air dryer guns NT10-RP-2 is included

Part number:	NT10-RPS-1
Max height, m:	2
Max width, m:	0,8

Your regional distributor



info@onetech-tools.com



www.onetech-tools.com